

ALUMINIUM SHOWER STOOL

REF. 90516

INSTRUCTION MANUAL

IMPORTANT

Read the instructions carefully before using this product and keep them if necessary.

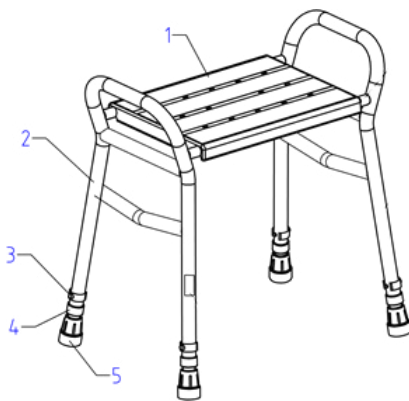
User: If you are unable to read or understand any warnings, precautions or instructions, please contact your health care professional or distributor before using this product or risk and damage may result. Consult your doctor or health care professional before using a mobility aid.

Distributor: This manual must be given to users of this product.

PRODUCT DESTINATION

The Urathon Aluminium shower stool is a technical bathing aid for elderly, people with reduced mobility, disabled, injured or who lose their balance easily.

PRODUCT DESCRIPTION



1. Seat
2. Frame
3. "E" Clip
4. Sealing ring
5. Rubber tip

SAFETY PRECAUTIONS



Failure to follow the safety precautions may result in the risk of serious injury.

- Don't exceed the maximum supported weight of 160 kg.
- Check all components are secured before use.
- Make sure that the product is in good working order.
- Visually check the product.
- Before each use of the product, the "E" clips are well installed.
- Check the stability of the stool before use.
- Only use on level ground.
- In case of damaged, broken, worn or missing parts, contact the dealer.



MOUNTING & USE

1. Carefully unpack and examine the product to ensure that it is complete.
2. Before use, check for any signs of damage, such as cracked welding, peeling paint, cracked or damaged seat or bent tube. If you notice any of these problems, please contact us and refrain from using the product.
3. The seat must be securely screwed into the frame using the screws provided before use.

HEIGHT ADJUSTMENT

- To adjust the height, remove the "E" Clip from the leg(s) and extend all legs evenly to the desired height ensuring you do not exceed the last punched hole of the leg.
- Once you have achieved the desired height; reinstall the "E" Clip, ensuring it has passed through the leg and that it fits neatly and snugly around the outside leg.
- Make sure that all feet are adjusted to the same height.

CARE AND MAINTENANCE



Failure to care for and maintain your product may result in the risk of serious injury.

- Regularly clean by hand the product (all legs, seat and fixings) with a damp cloth and a mild detergent and disinfectant. Do not use abrasive products, detergents or solvent-based products.
- Dry with a clean, dry soft cloth.
- The chair must be completely reviewed every year.
- It is recommended that the device is serviced annually.
- If the device is subject to heavy use and/or use in a multi user environment then we recommend the device is serviced more frequently.
- Worn legs, locking mechanism, seat and "E" clips) should be repaired, replaced, adjusted and/or lubricated if necessary.
- In case of malfunction, do not repair the product yourself. Consult an authorised dealer.

CHANGE OF OWNERSHIP

The product can be reused. It must first be cleaned and disinfected in accordance with hygiene instructions. When transferring your product, remember to hand over all the necessary technical documents to the new user. Beforehand, the product must be inspected by an authorised specialist.

RECYCLING

When the product has become unusable and you have to throw it away: please contact your specialist dealer. If you wish to carry out recycling for yourself, ask your local waste management company for disposal guidelines.

STORAGE



Failure to observe the storage conditions can lead to deterioration of the product and thus to the risk of serious injury.

- Do not store your product for an extended period of time near a heat source or in the sun (e.g. behind a window or near a radiator) or near a cold source.
- Keep away from all flames and sources of sparks.
- Respect the conditions for storing your product:
 - In a dry and temperate place
 - Protect your shower chair by packaging it from dust, corrosion (e.g. abrasive elements, sand, sea water, salty air).
 - Store all removed parts together in the same place (or locate them if necessary) to avoid mixing them with other products when reassembling.
 - All components must be stored without any load (do not place any objects that are too heavy on the product elements, do not jam anything...).

PERIOD OF USE

The life expectancy of this product is 6 years under normal use, safety and maintenance conditions for a user. Beyond this period, the product can be used for as long as it is still in good condition. If the device is used in a multi user environment (such as a nursing home or hospital) then service life may be reduced.

TECHNICAL FEATURES

Overall dimensions	Width 54-56 cm x depth 39-41 cm
Seat Dimensions	Width 38 cm x depth 28 cm x height 47-60 cm
Width between the armrests	49 cm
Weight	2,1 kg
Maximum user weight	160 kg

GUARANTEE

This product is guaranteed for two years from the date of purchase by the user. Urathon will provide replacement parts for any part that has broken due to a manufacturing, design or manufacturing deficiencies. Contact the distributor from whom you purchased the product in case you need to make a claim. Failures resulting from accidental damage, misuse, alteration, or wear and tear are not covered by this warranty. Contact the dealer from whom you purchased the product to apply the warranty.



Maximum weight authorised 160 kg

