

User Instructions Item 90615

Adjustable Curved Over Bed/Chair Table

General Safety Warning

Please ensure these instructions are fully read and implemented. Failure to do so may result in injury to the user. Retain in a safe place for future reference.



Intended Use

This stylish and versatile table can be used either over chairs or single beds. It has four lockable castors which makes manoeuvring and positioning the table very easy. It is height and width adjustable.

Height:
700mm (27½") to 900mm (35½")

Width:
900mm (35½") to 1100mm (43¼").

Unpacking

- This product is supplied flat packed and requires assembly before use.
- No tools are required.
- Remove the product from its packaging; Check for damage. If you see any, or suspect a fault, do not assemble the product; contact your supplier immediately.
- Check all parts are present - see contents list overleaf

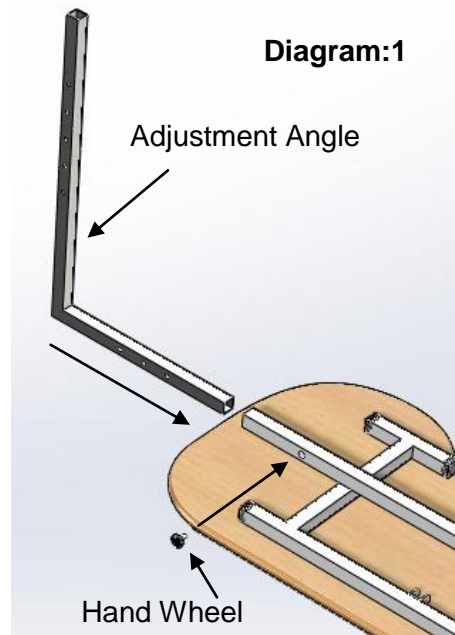
UK
CA | CE



Contents	
Description	Qty
Table Top Assembly	1
Adjustment Angle	2
Hand wheel (Locking Screw)	4
Leg Assembly	2

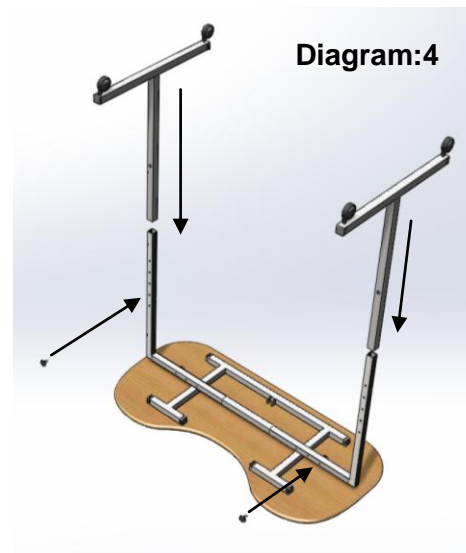
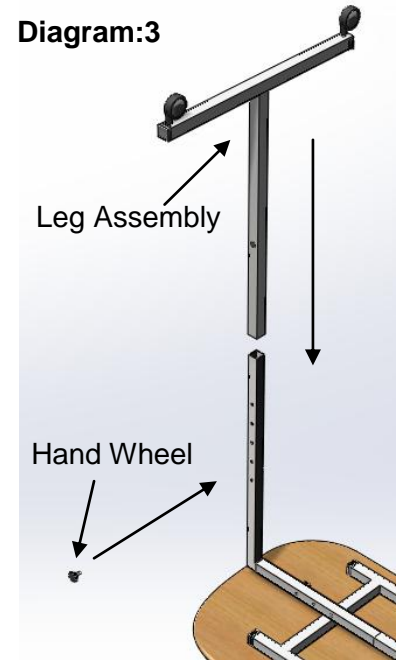
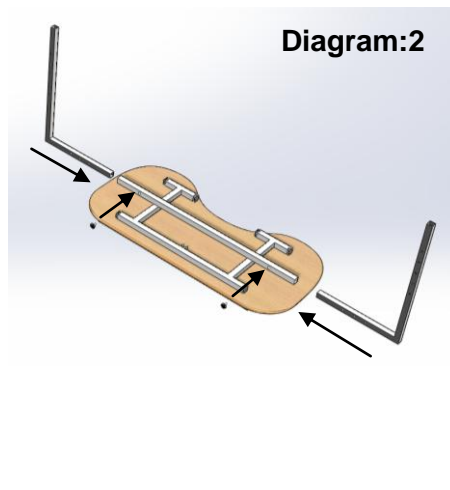
Safety Precautions

- Do not overload the table top - Max 15kg when.
- Do not use the table to transport objects
- It is advised to lock the castors before using the table.



Assembly Instructions

1. Place the table top assembly on the floor, face down - see diagram 1
2. Slide the shorter leg of the adjustment angle into the table top centre bar, to the required width, align the holes in the two parts and secure with hand wheel - see diagram 1
3. Repeat step two for the other side see diagram 2
4. Fit the leg assembly onto the Adjustment Angle, slide to the correct height. Align the holes and secure with hand wheel - see diagram 3
5. Repeat step four, for the other leg, see diagram 4



Product Care: Cleaning

- Clean regularly, wiping down with a soft cloth and a mild detergent/disinfectant solution
- Do not use abrasive cleaners

Product Care: Maintenance

- Inspect on a regular basis the stability and rigidity of the product, check all screws are tightened and in good condition