

## User Instruction for 90322 Bed Rail

### 1. Introduction

Single side bed aids offers transfer support in and out of bed. It is strongly recommended that the user exits and enters the bed on the same side of the bed the equipment is fitted to, if using the equipment from the opposite side of the bed to which the equipment is fitted – always use webbing straps. In all cases we recommend that a risk assessment is carried out on an individual basis to assess the suitability of the equipment for use. The 2 piece framework clips together with easy fit “pin clips” and the bed rails are compact for easy storage.



90322 Product specification	
Base width	625mm
Base length	810mm
Base to top of loop	430mm
<b>Maximum user weight</b>	<b>190 KG (30 Stone)</b>

### 2. Contents

- The bed aid comes in 2 sections, base and upright
- Pin Clips x 2
- User Instructions (this leaflet)
- Black Webbing Strap x 2 to be purchased separately where risk assessment has determined more protection is needed on 90322

### 3. Assembly Instructions

- Carefully unpack and examine the product to ensure that all parts are present
- Before use check for any signs of damage e.g. cracked weld, flaking of paint, bent tube. If there are any signs of damage please refrain from using the product and contact your supplier
- If the product has not been packed ready assembled, assemble the Bed Aid by sliding the two sections of the assembly together (telescopic action).
- After inspection align the holes in the frame, ensuring they are equally aligned on both sides.
- Push the pin clip in the hole ensuring it is fully engaged (protruding from the opposite side it was pushed into).
- Ensure the pins are located properly before the product is placed under the mattress.
- Place the Bed aid under the mattress with the grab handles facing upwards, ensuring that the product is secure and if required fit straps. The Bed Aid is now ready for use.

### 4. Correct Use

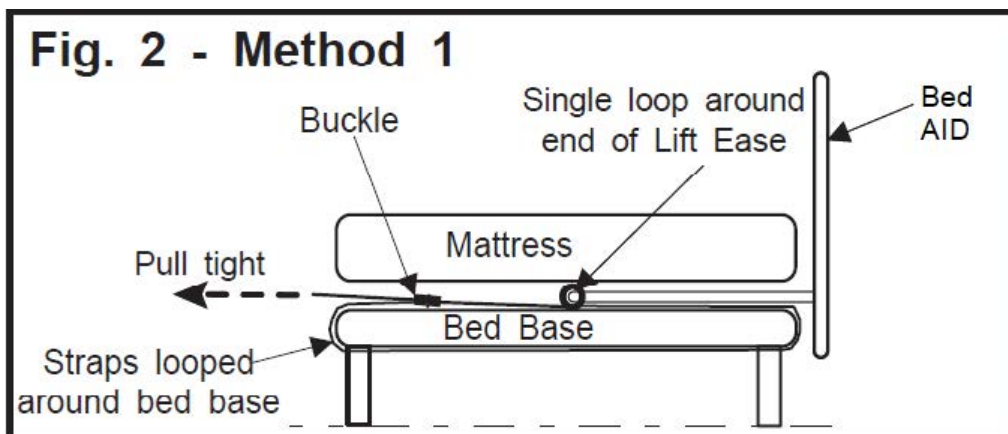
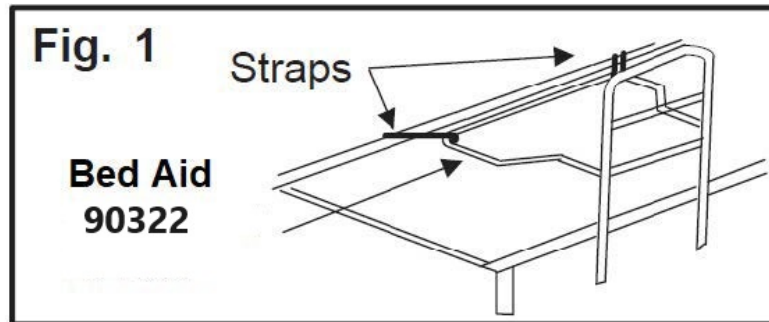
- The Bed Aid complies with current entrapment guidelines
- These Bed Aids are suitable for various types of bed construction but specific risk assessment is recommended
- Do not attempt to overload the Bed Aid (see section 7)
- **IMPORTANT: Do not sit or stand on your Bed Aid; it is designed for use as a transfer support in and out of bed.**

## User Instruction for 90322 Bed Rail Cont'd.

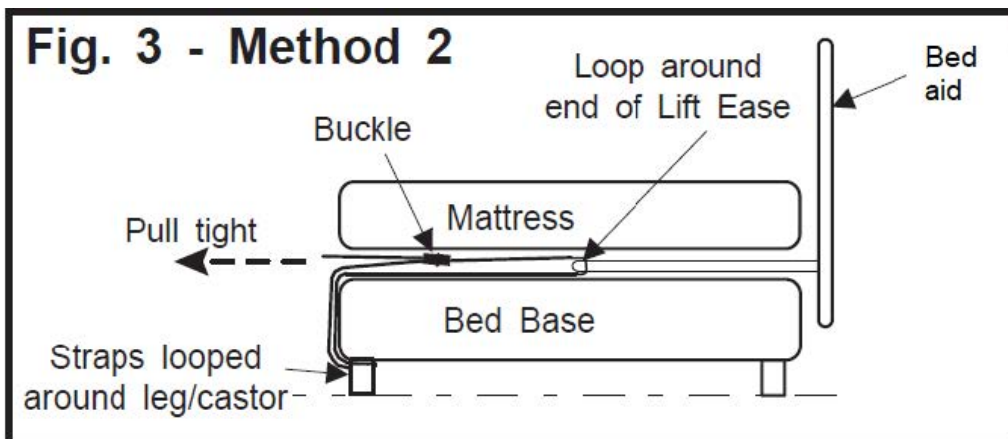
### Bed Aid Straps:

The safety straps are optional on the 90322 to reduce movement under heavy use. Straps are recommended and can be ordered separately if required.

Figure 1 shows how the straps attach to the bed aid frame at the corners. Dependent upon the type of bed to which the frame is fitted, there are two methods in which the straps can be attached to the bed. It is the responsibility of the person fitting the straps to ensure the most appropriate method is used to ensure the frame is as secure as possible.



For the most secure method, use Method 2:



**Please note:** 2 straps maybe joined if required for larger beds.

**For both methods of fitting, the straps should attach to the frame at the corners and should be pulled tight before use. The tightness of the straps and security of the bed frame should be regularly checked.**

### 5. Cleaning

- It is recommended to use mild detergent with warm water to wipe down framework on at least a weekly basis more frequently if required.
- Do not use an abrasive cleaner as this will damage the frame and nullify your warranty.

### Use of power/jet washing & industrial washing machines:

- If either of the above is used to clean equipment care must be taken since high-pressure water can be penetrative.
- Care should be taken that frames are not placed too close to high-pressure water jets.
- After cleaning ensure any residual water is removed from the framework as it could cause permanent rusting of the frame (leave frames open in a warm environment for several hours to ensure all internal moisture evaporates).
- We cannot offer advice on industrial washing machines with regards to specific machine settings, as these will be dependant on the manufacturer's instructions.

### 6. Maintenance Requirements

- The product should be checked on a regular basis for damage or wear and tear – this includes flaking or cracking paint. Should damage be evident, then the user should refrain from using the product until advice has been sought from the supplier. Any undue signs of damage should be noted and reported to the supplier in the first instance.

### 7. Warning

- This product is not intended for users more than 190 kg/30 stone in weight.
- The manufacturer recommends that the equipment is used to support bed entry and exit from the side of the bed the equipment is fitted to.
- **Always use webbing straps if equipment is being used to aid entry and exit from the bed from the opposite side the equipment is being used from.**
- We recommend a full risk assessment should be carried out before use.

### 8. Warranty

This product carries a 12 month warranty from the date of purchase against manufacturing defects. Damage from misuse is not covered. This warranty does not affect your statutory rights. As manufacturers we cannot specify expected product life as this is based on the level of usage **however we can advise that this product has been designed, manufactured and independently tested in the UK (including cyclic testing to represent real life usage).**

### 9. Disposal Instructions

- Appropriate hygiene standards should be applied before disposal to reduce the risk of infection.
- Materials used are essentially non hazardous and can be disposed of appropriately.

### 10. Contact Details:

